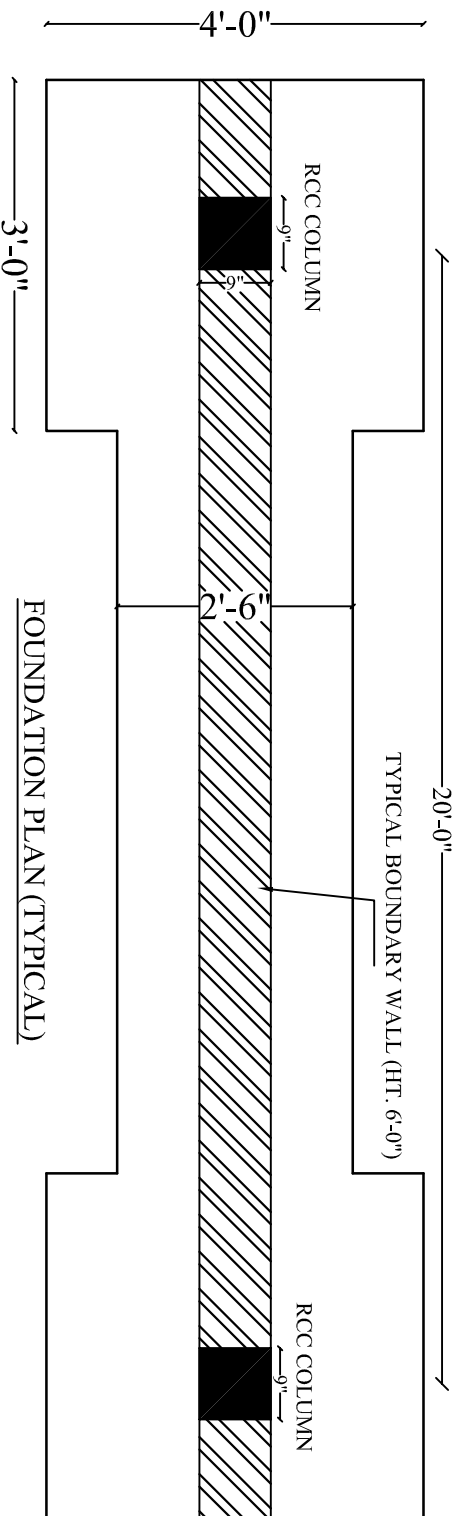
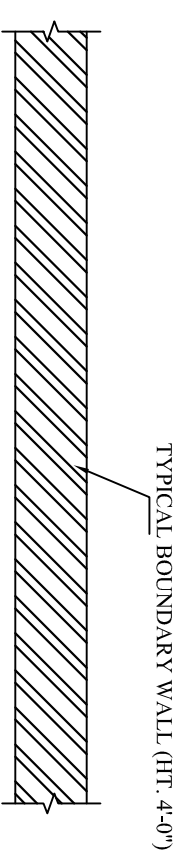


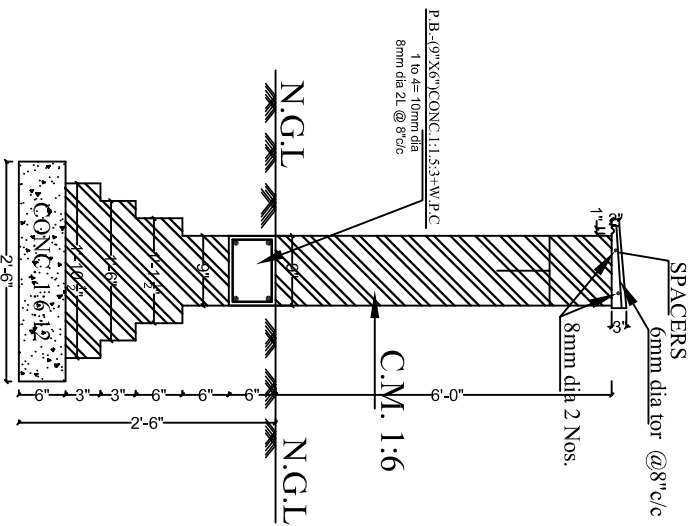
TYPICAL PLAN OF BOUNDARY WALL (HT. 6'-0")



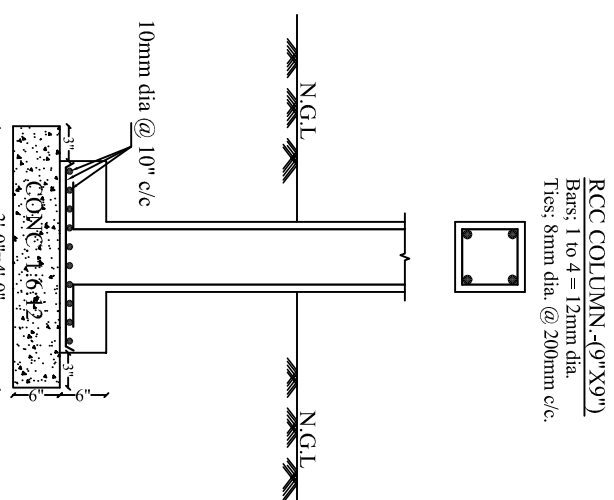
FOUNDATION PLAN (TYPICAL)



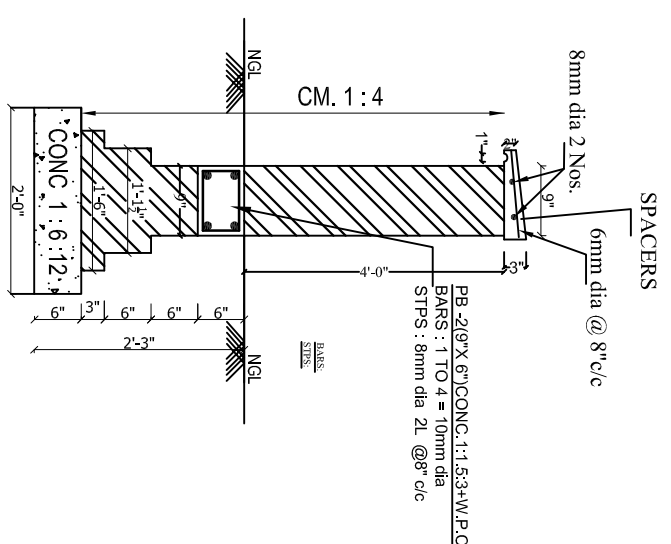
TYPICAL PLAN OF BOUNDARY WALL (HT. 4'-0")



TYPICAL BOUNDARY WALL (HT. 6'-0")



RCC COLUMN (TYPICAL)



TYPICAL BOUNDARY WALL (HT. 4'-0")

NOTES

1. DIMENSIONS ARE TO BE READ NOT TO BE SCALED
2. CONTRACTOR IS TO CHECK ALL DIMENSIONS BEFORE EXECUTION OF WORK
3. Φ INDICATES THE DIA OF HYSD BARS OF GRADE F415 REFER TO IS: 1786, 1979
4. FOR CENTER LINE DIMENSION REFER ARCH.DRG.
5. NOT MORE THAN 50% BARS ARE TO BE LAPPED AT ONE LOCATION
6. LAP LENGTH / ANCHORAGE LENGTH
58d IN CASE OF FOUNDATION BEAM & SLAB
45d IN CASE OF COLUMNS, WHERE 'd' IS DIA OF BARS
7. CLEAR COVER TO REINF.:
(i) FOUNDATION = 60mm
(ii) BEAM = 30mm
(iii) COLUMN = 40mm
(iv) SLAB = 25mm
8. CONC. USED IS M20

CONSULTANTS:

SYAL & ASSOCIATES



(Chartered Engineers, Architects, Surveyors & Land Planners)
F-91, PHASE VII,
INDUSTRIAL AREA,
MOHALLI (Pb) PH 0172-2236219

CLIENT:

PROJECT:

STANDARD BOUNDARY WALL

REVISION:

S T R U C T U R E

TYPICAL BOUNDARY WALL,

STRUCTURAL CONSULTANT : **Dr. I. C. Syal**

SIGNATURE & STAMP:

DRAWN BY :

SCALE : N.T.S.

DATE : 30-08-2010

DRG. NO. : S-1